

Micro Fliter System

· DL Series



Micro Filter System

MODEL	In/Out	Pressure	Filter Height	Material
DL-12	2~4"	10 Kg/cm ²	30"	SUS 304,316,316L
	2~4"	10 Kg/cm ²	40"	SUS 304,316,316L
DL-20	2~4"	10 Kg/cm ²	30"	SUS 304,316,316L
	2~4"	10 Kg/cm ²	40"	SUS 304,316,316L
DL-28	3~4"	10 Kg/cm ²	30"	SUS 304,316,316L
	3~4"	10 Kg/cm ²	40"	SUS 304,316,316L
DL-36	4"	10 Kg/cm ²	30"	SUS 304,316,316L
	4~6"	10 Kg/cm ²	40"	SUS 304,316,316L
DL-46	4~6"	10 Kg/cm ²	30"	SUS 304,316,316L
	4~6"	10 Kg/cm ²	40"	SUS 304,316,316L
DL-56	4~6"	10 Kg/cm ²	30"	SUS 304,316,316L
	4~6"	10 Kg/cm ²	40"	SUS 304,316,316L
DL-81	4~6"	10 Kg/cm ²	30"	SUS 304,316,316L
	4~6"	10 Kg/cm ²	40"	SUS 304,316,316L
DL-95	6~8"	10 Kg/cm ²	30"	SUS 304,316,316L
	6~8"	10 Kg/cm ²	40"	SUS 304,316,316L
DL-135	8~10"	10 Kg/cm ²	30"	SUS 304,316,316L
	8~10"	10 Kg/cm ²	40"	SUS 304,316,316L
DL-155	10~12"	10 Kg/cm ²	30"	SUS 304,316,316L
	10~12"	10 Kg/cm ²	40"	SUS 304,316,316L
DL-173	10~12"	10 Kg/cm ²	30"	SUS 304,316,316L
	10~12"	10 Kg/cm ²	40"	SUS 304,316,316L

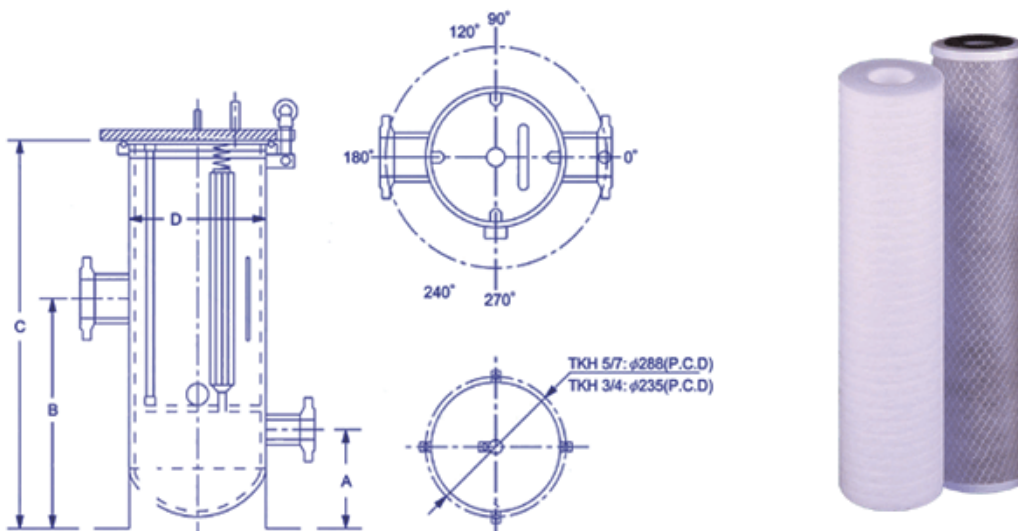
Micro Fliter System

· TK Series

Micro Filter System



MODEL	In/Out	Pressure	Number of Filter	Material
TK7-10	2"	10 Kg/cm ²	10"x 7ea	SUS 304,316
TK7-20	2"	10 Kg/cm ²	20"x 7ea	SUS 304,316
TK7-30	2"	10 Kg/cm ²	30"x 7ea	SUS 304,316



·TK Series Dimension (mm)

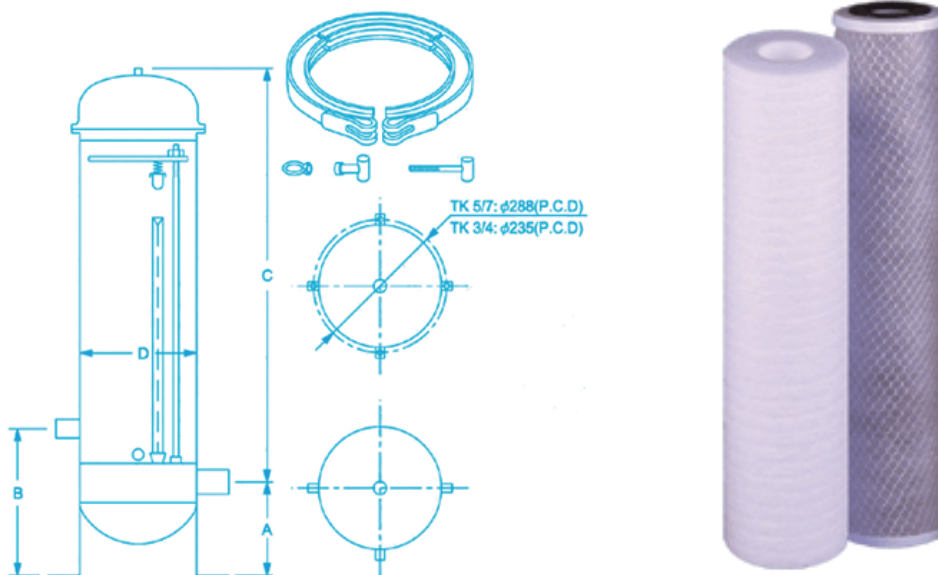
MODEL	A	B	C	D
TK7-10	120	280	550	230
TK7-20	120	280	815	230

Micro Fliter System

· TK Series



MODEL	In/Out	Pressure	Number of Filter	Material
TK7-10	2"	7 Kg/cm ²	10"x 7ea	SUS 304,316
TK7-20	2"	7 Kg/cm ²	20"x 7ea	SUS 304,316
TK7-30	2"	7 Kg/cm ²	30"x 7ea	SUS 304,316



·TK Series Dimension (mm)

MODEL	A	B	C	D
TK7-10	120	280	505	230

Micro Filter System



MODEL	In/Out	Height	Color	Quantity/Carton
KF1050LBPR-NP	1"	10"	Blue/Black	4 ea
KF20050LBPR-NP	1"	20"	Blue/Black	4 ea
KF1050LB1PR-NP	1-1/2"	10"	Blue/Black	4 ea
KF20050LB1PR-NP	1-1/2"	20"	Blue/Black	4 ea



MODEL	In/Out	Height	Color
B897-BK1-PR	1"	10"	Blue/Black
B898-BK1-PR-BN	1"	20"	Blue/Black
KF1050LB1PR-NP	1-1/2"	10"	Blue/Black
KF20050LB1PR-NP	1-1/2"	20"	Blue/Black